



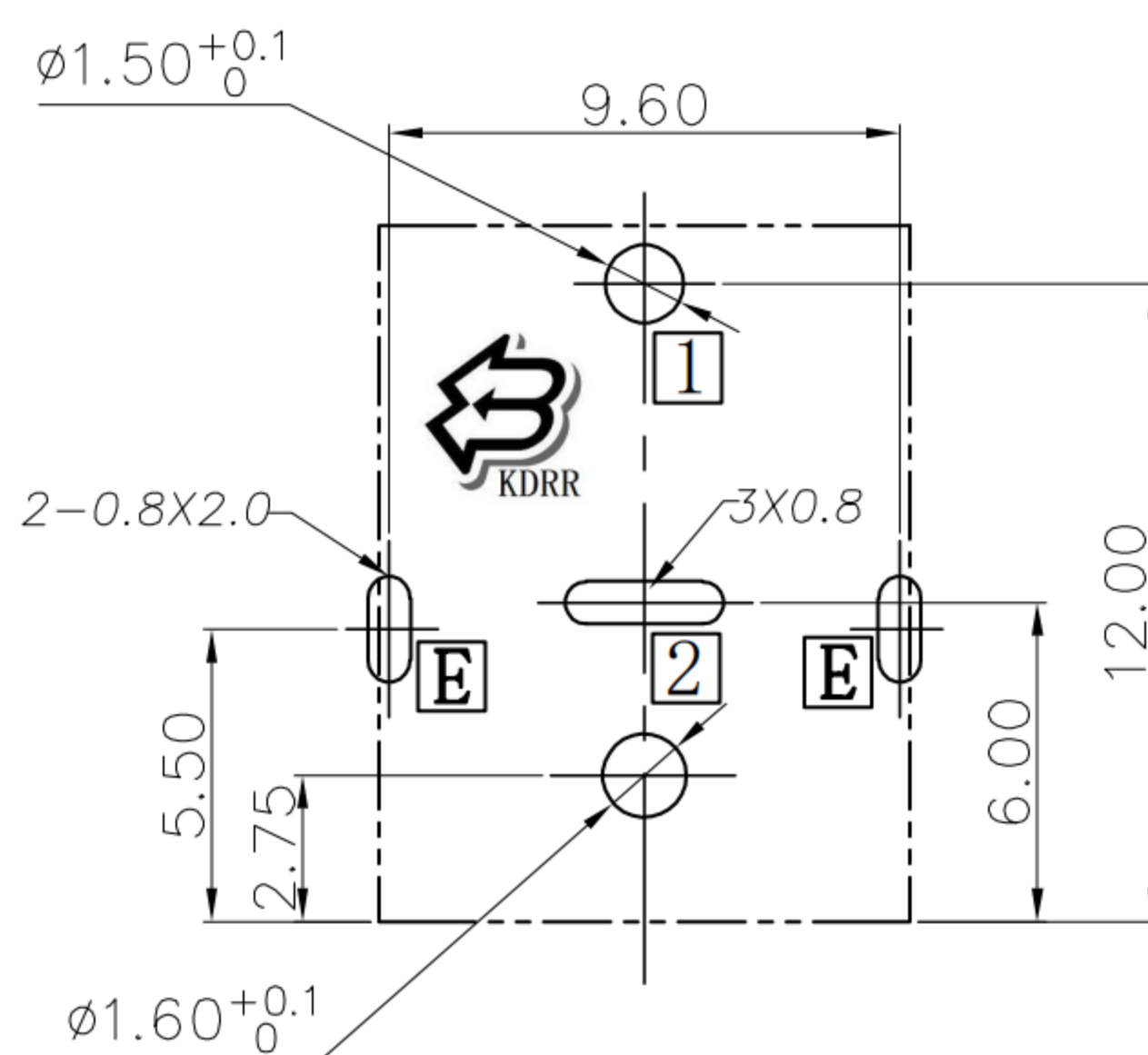
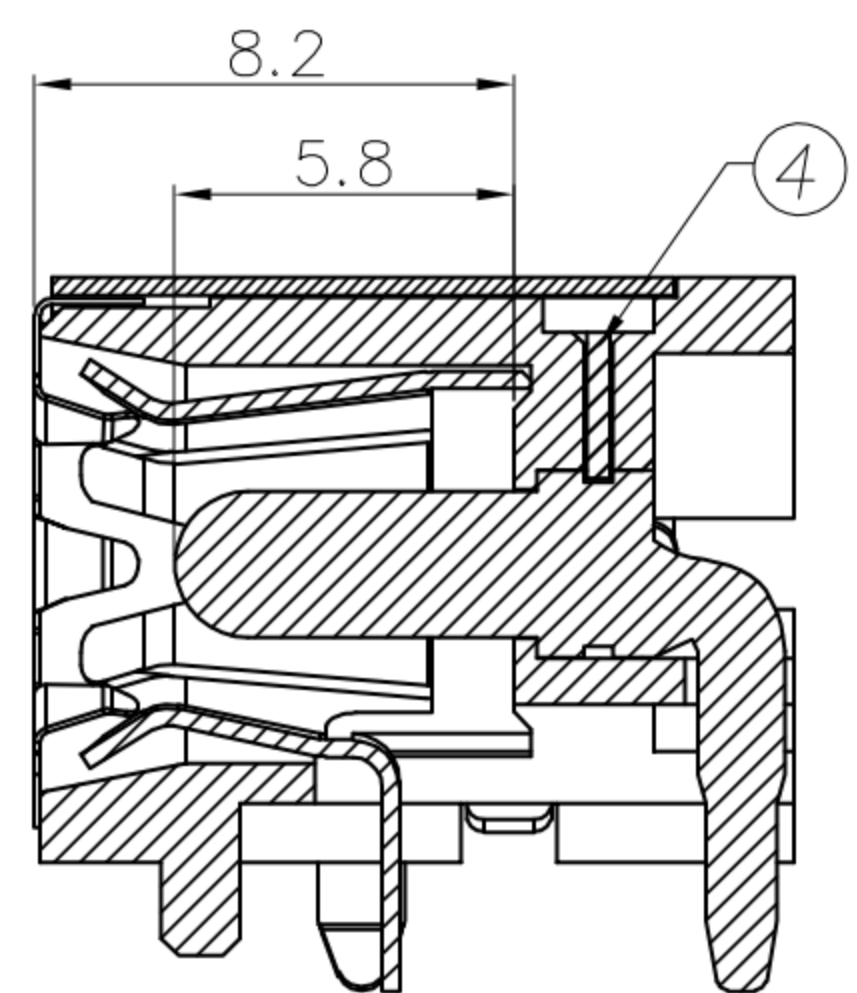
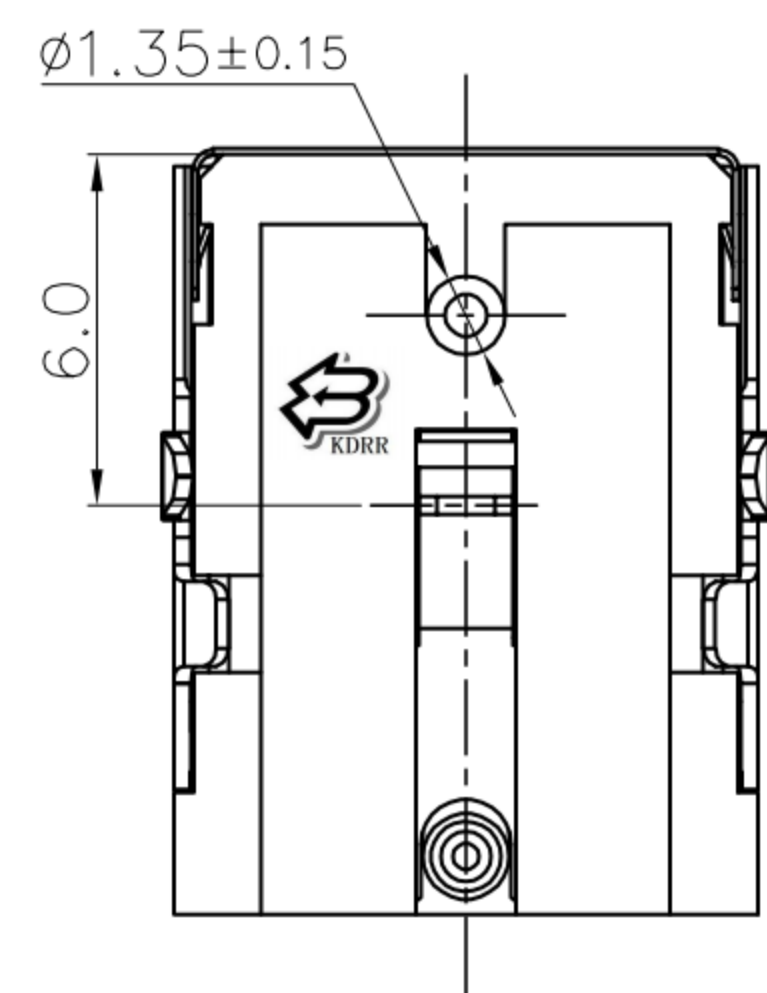
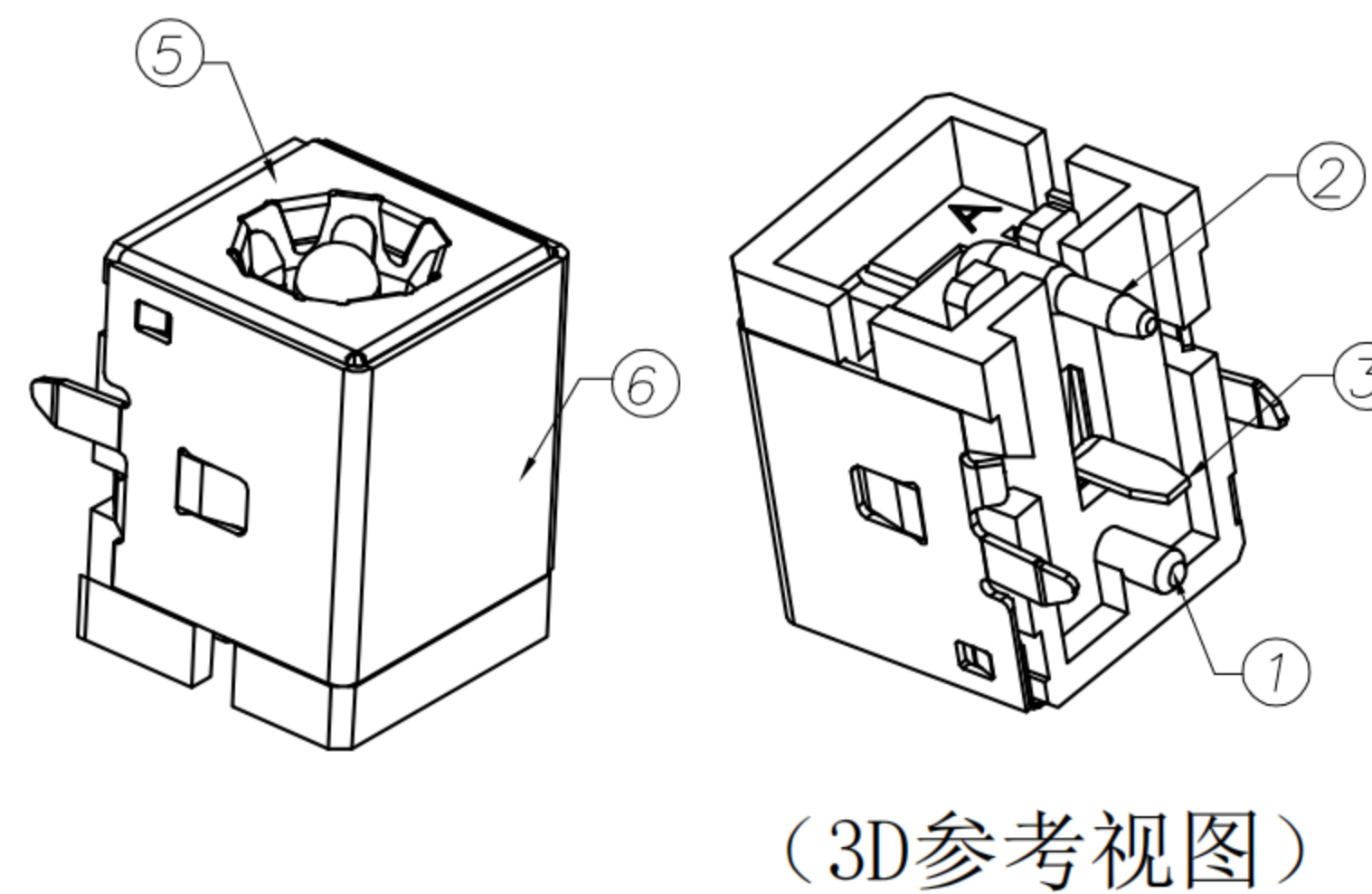
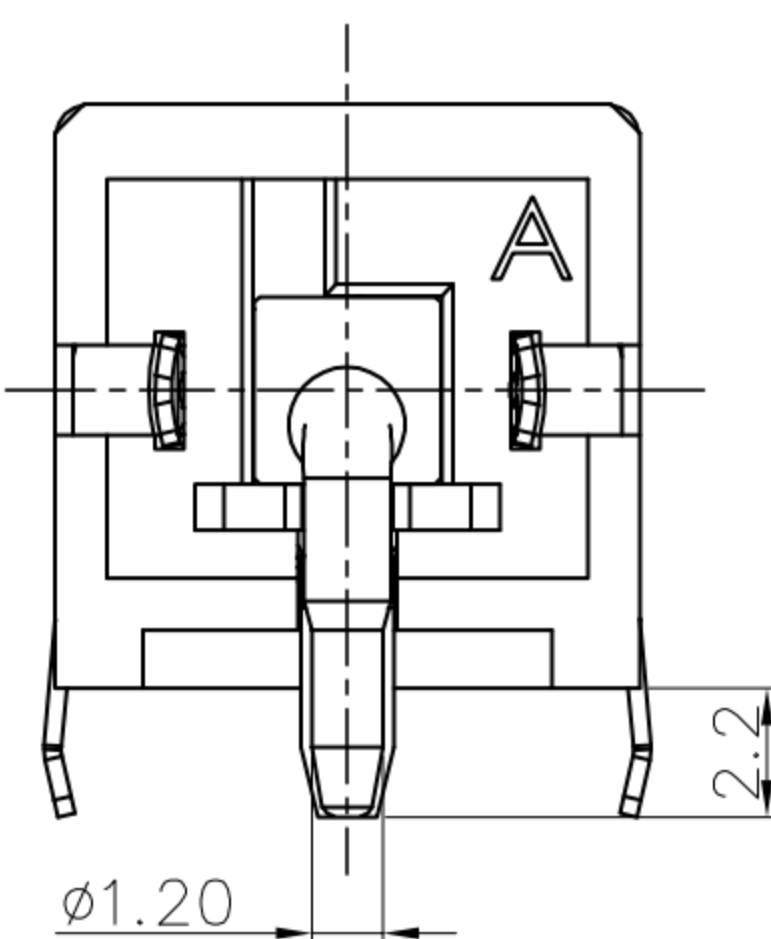
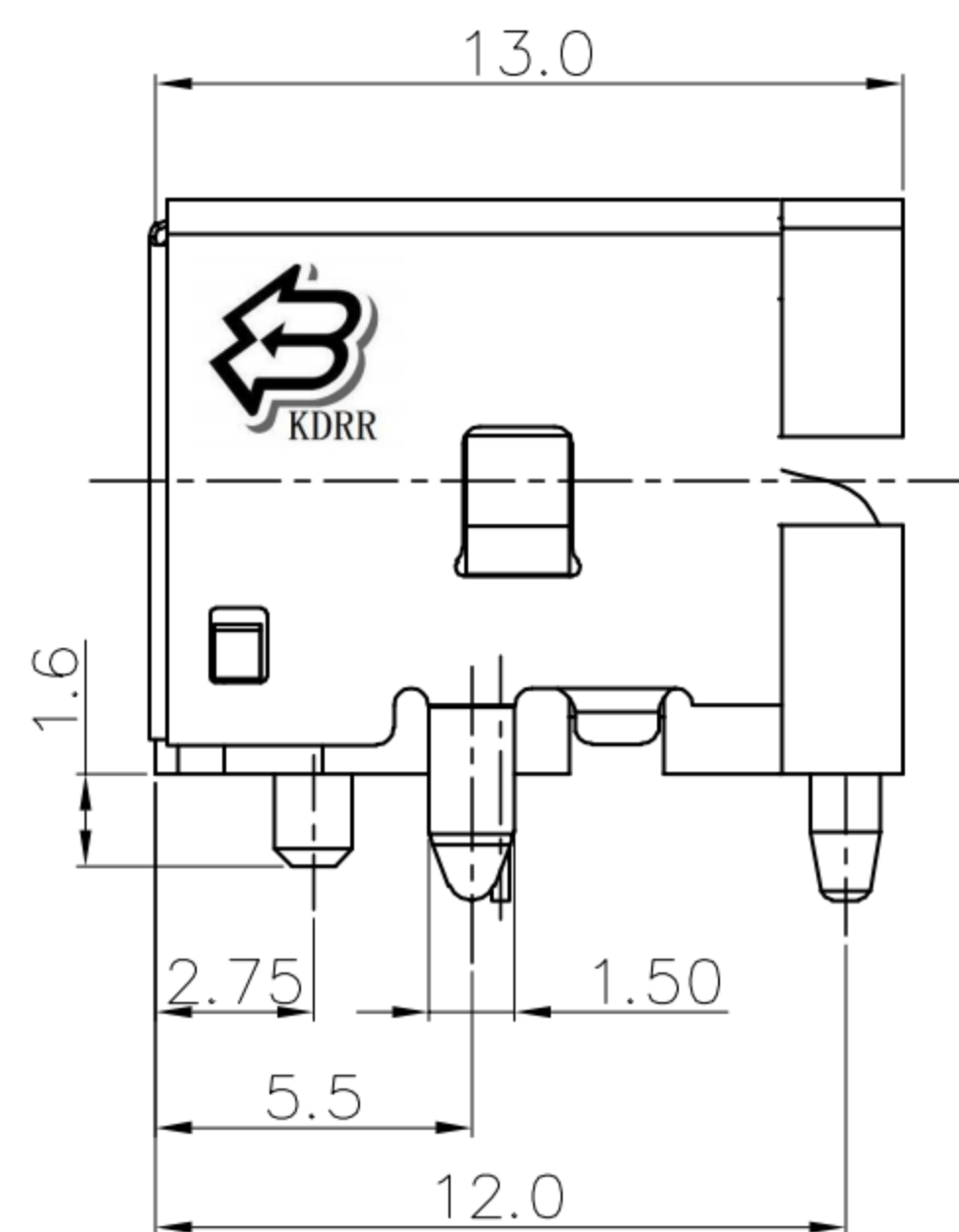
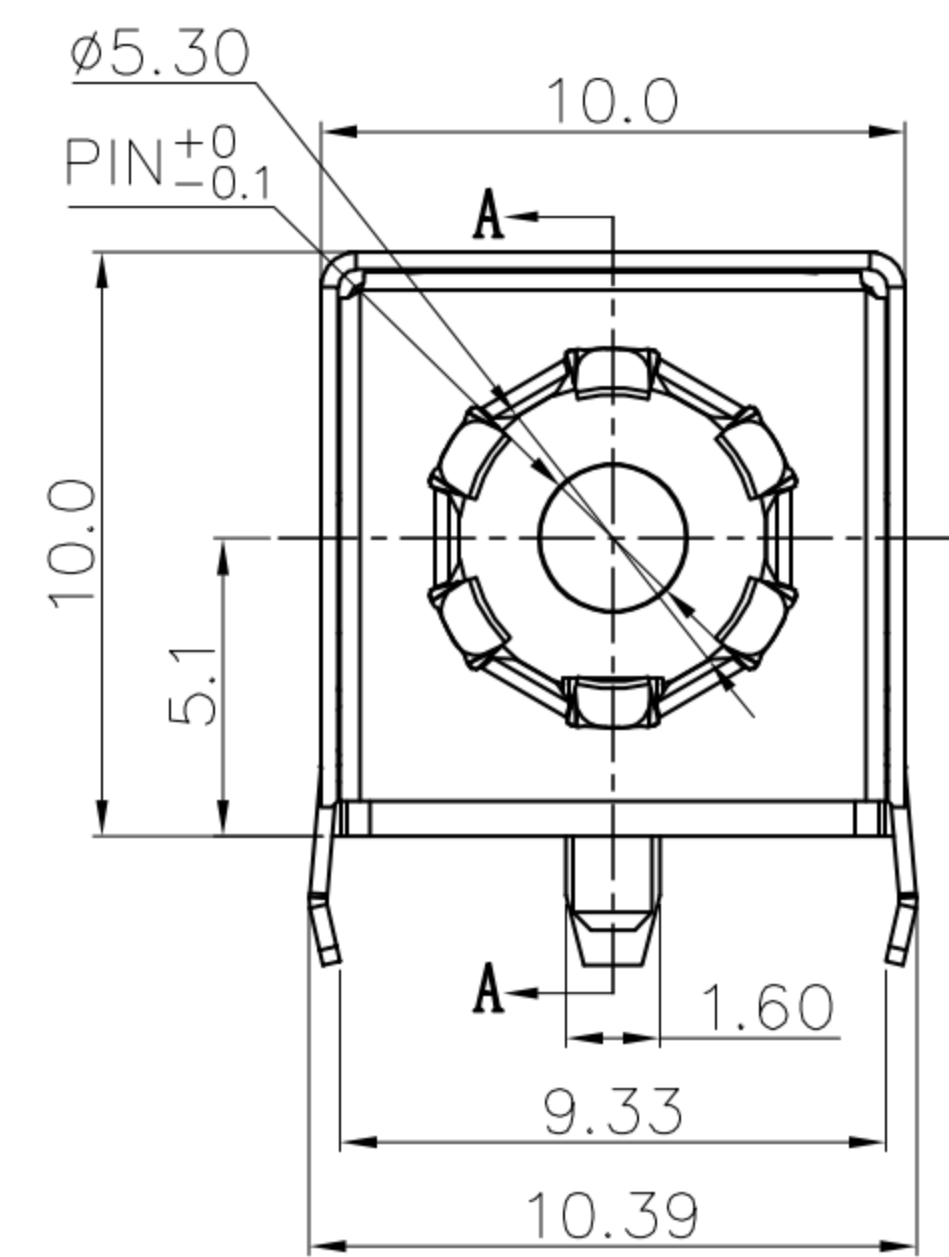
Ordering information:
GD-DCT-0146B

- (1): Series No.
- (2): Schematic option: B
- (3): Center pin diameter:
G=φ1.65, H=φ2.0, J=φ2.5
- (4): Material of housing:
10=PA10T (Standard)
- (5): Housing color:
Zero 0A=Black 3C=Orange (157C)
- (6): Terminal plating:
T=Tin (Sn) S=Silver (Ag)
- (7): Special option:

DESCRIPTION	Code	Specification
Center pin	0	Ni plating, NO DATE CODE
	A	Au plating, NO DATE CODE
	T	Sn plating, NO DATE CODE
	D	Ni plating, DATE CODE
	S	Ag plating, NO DATE CODE

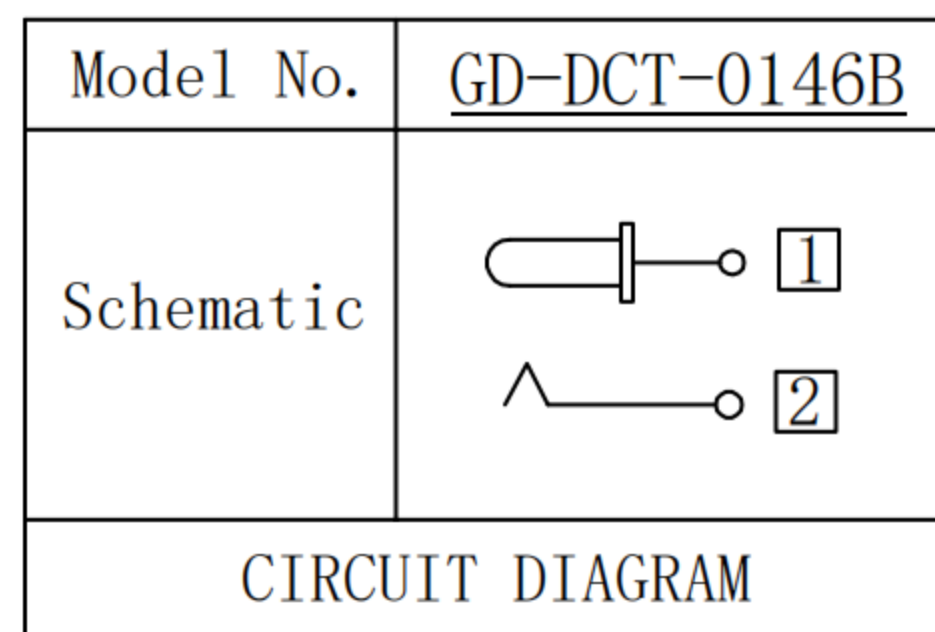
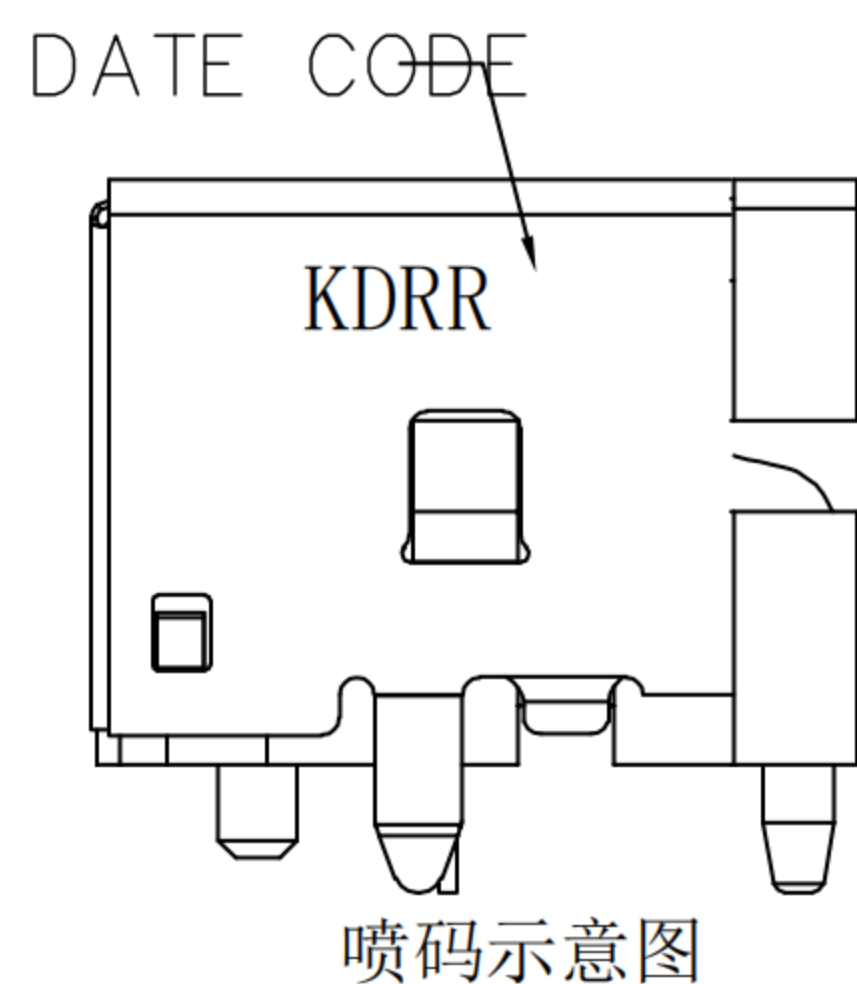
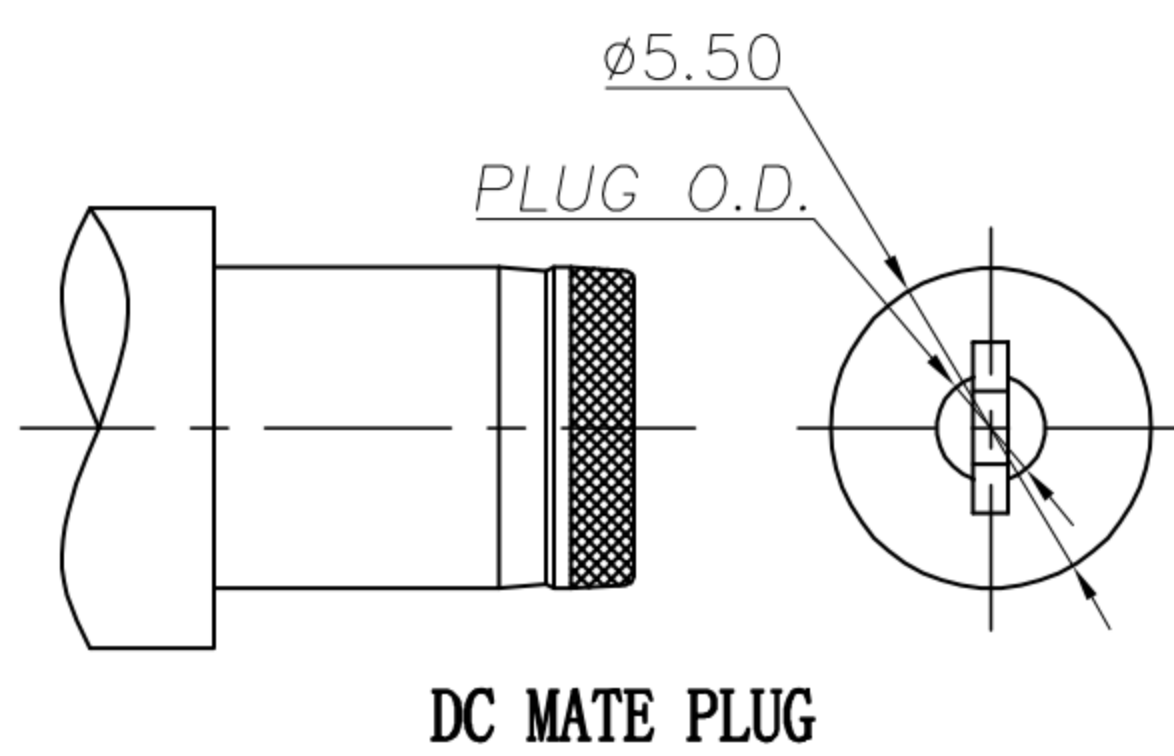
- (8): Packing mode:
1=Reel packing
3=Plastic box packing

- Specification:
1. Rating : DC 20V 8A;
 2. Contact resistance: ≤30mΩ;
After test: ≤50mΩ
 3. Insulation resistance: ≥100MΩ (500VDC);
After test: ≥50MΩ
 4. Withstand voltage: 500VAC ;
 5. Insertion and extraction force: 3N~30N;
 6. life test: 5000cycles MIN.;
 7. Operation temperature range: -20℃~70℃
 8. Preservative temperature range: -40℃~85℃



SECTION: A-A
(Short Center pin end is Circle)

P.C.B LAYOUT
TOP VIEW



PIN	φ1.65	φ2.0	φ2.5
PLUG O.D.	1.70 ^{+0.10} _{-0.00}	2.05 ^{+0.10} _{-0.00}	2.55 ^{+0.10} _{-0.00}

NO.	DESCRIPTION	Q' TY	MATERIAL	REMARK
⑥	Ground Terminal	E 1	Copper Alloy	Ni plating
⑤	Shield plate	1	Stainless steel	
④	Terminal	1	Copper Alloy	
③	Tip spring	2 1	Copper Alloy	See "Ordering info"
②	Center pin	1 1	Zn Alloy	Short Center pin end is Circle Ni plating
①	Housing	1	High temp. Thermoplastic	Halogen Free, Black

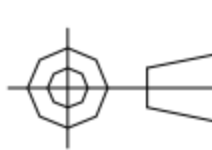
ITEM NO.	DESCRIPTION	DRAWN	DATE
4	更新材質	Jack	050420
3	更新尺寸	Jack	121119
2	更新尺寸標示位置	Jack	082719
1	更新尺寸	Jack	080519

东莞市高迪电子有限公司
Dong Guan KDRR Electronic Switch Jack Co., Ltd.

TOLERANCE UNLESS OTHERWISE STATED:

Up to 5 ±0.2
Above 5 ~ 15 ±0.3
Above 15 ~ 30 ±0.4
Above 30 ~ 50 ±0.5
Angle ±0.3°

3RD. ANGEL'S



UNITS

MM

DRAWN BY: Ming Ming Zou DATE: 6/8/23
CHECKED BY: Ning Ning Su DATE: 6/8/23
APPROVED BY: Jia Xiang DATE: 6/8/23

MAT'L	TITLE	JACK
FINISH	MODLE	DC JACK
SCALE: 1:1	DWG NO. GD-DCT-0146B	SIZE: A4
SHEET NO. 1 of 1	PART NO.	VER: R4